

25 IS SERIES LASERS

INTRINSICALLY SAFE

LD.25.IS available in **Red** beam

INTRINSICALLY SAFE

Explosion-proof containment not required. Works in Methane/Air mixtures.

Code: Ex ia I/IIC T3 IP55

IEC 60079-0 : 2011

Edition: 6.0

Electrical apparatus for explosive gas atmospheres

Part 0: General requirements

IEC 60079-11 : 2011

Edition: 6.0

Explosive atmospheres

Part 11: Equipment protection by intrinsic safety "i"

CERTIFICATE No.

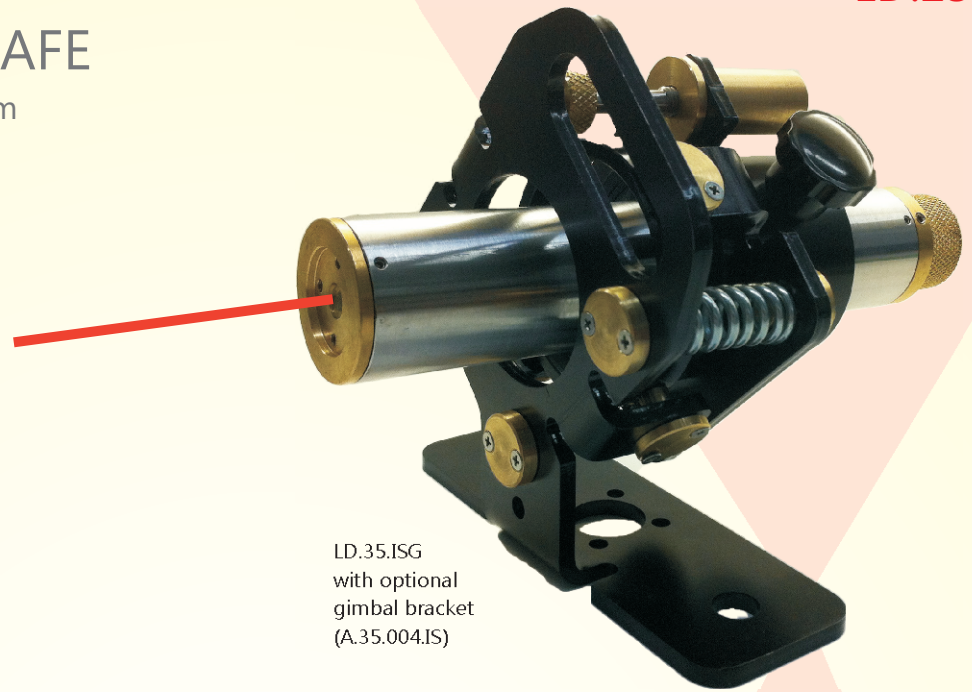
IECEX SIM 13.0004

APPLICATIONS

- Mining
- Tunneling
- Industrial
- Safety
- Manufacturing
- Power Boring

SPECIFICATIONS

	LD.25.IS
Length	221mm
Diameter	25mm
Weight	510g with batteries
Power supply	2 x 'AA' cell batteries
Operating time	50hrs
Laser Class	2M
Operating range	150m
Beam diameter (at exit)	5 mm



LD.35.ISG
with optional
gimbal bracket
(A.35.004.IS)

FEATURES

The LD.25.IS laser enables accurate construction and alignment of tunnels where being driven by tunnel boring machines, drill and blast, pipe jack or conventional hand techniques. The units are intrinsically safe and therefore do not require explosion proof containment when working in gaseous environments such as methane/air mixtures. The units are waterproof, rugged and constructed from stainless steel and brass. The units are based on diode technology and powered by two 'AA' cells

When used with the MCE designed adjustable gimbal, the lasers are easily installed on tunnel walls and adjusted to a target.

OPTIONS

Horizontal Gimbal I/S	A.35.004.IS
Carry case	A.35.006
Penta prism	A.MCE.029

www.stottind.com.au

Specifications subject to change without notice