

# 35 IS SERIES LASERS

## INTRINSICALLY SAFE

LD.35.IS available in **Red** beam

LD.35.ISG available in **Green** beam

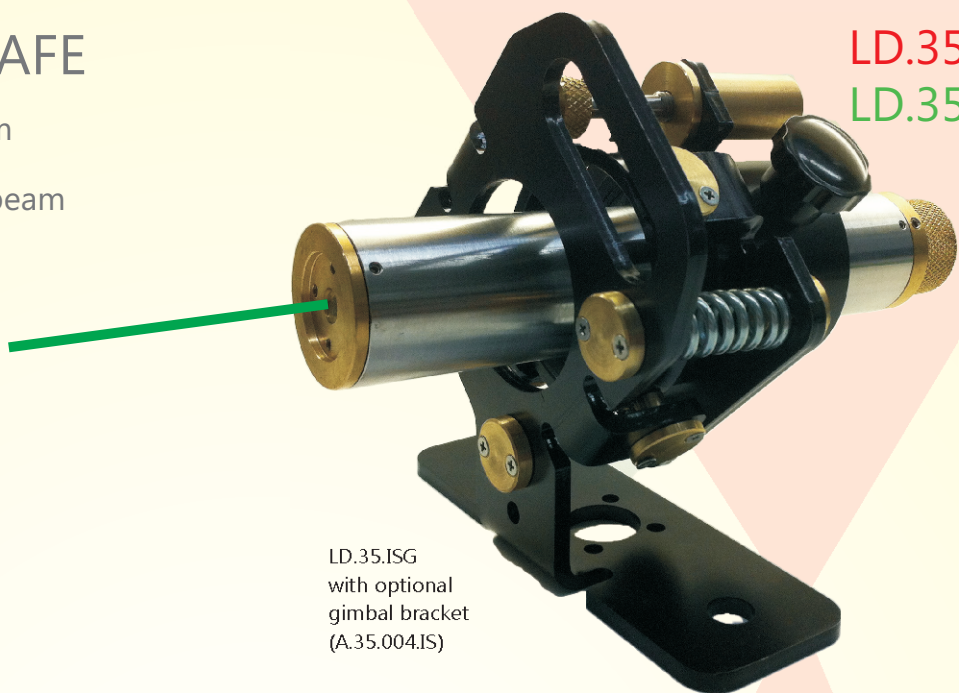
**LD.35.IS**  
**LD.35.ISG**

### INTRINSICALLY SAFE

Explosion-proof containment not required. Works in Methane/Air mixtures.

Code: Ex ia I/IIC T3 IP55

Code: Ex ia I/IIC T4 IP55



LD.35.ISG  
with optional  
gimbal bracket  
(A.35.004.IS)

### IEC 60079-0 : 2011

Edition: 6.0

Electrical apparatus for explosive gas atmospheres

Part 0: General requirements

### IEC 60079-11 : 2011

Edition: 6.0

Explosive atmospheres

Part 11: Equipment protection by intrinsic safety "i"

### CERTIFICATE No.

IECEX SIM 13.0004

### APPLICATIONS

- Mining
- Tunneling
- Industrial
- Safety
- Manufacturing
- Power Boring

### FEATURES

The LD.35.IS and LD.35.ISG lasers enable accurate construction and alignment of tunnels where being driven by tunnel boring machines, drill and blast, pipe jack or conventional hand techniques. The units are intrinsically safe and therefore do not require explosion proof containment when working in gaseous environments such as methane/air mixtures. The units are waterproof, rugged and constructed from stainless steel and brass. The units are based on diode technology and powered by two 'C' cells

When used with the MCE designed adjustable gimbal, the lasers are easily installed on tunnel walls and adjusted to a target.

### SPECIFICATIONS

	LD.35.IS	LD.35.ISG
Length	230mm	230mm
Diameter	38 mm	38 mm
Weight	890 g with batteries	890 g with batteries
Power supply	2 x 'C' cell batteries	2 x 'C' cell batteries
Operating time	200hrs	60hrs
Laser Class	2M	2M
Operating range	50 m	200m
Beam diameter (at exit)	5 mm	3mm

### OPTIONS

Horizontal Gimbal I/S	A.35.004.IS
Carry case	A.35.006
Penta prism	A.MCE.029

[www.stottind.com.au](http://www.stottind.com.au)

Specifications subject to change without notice