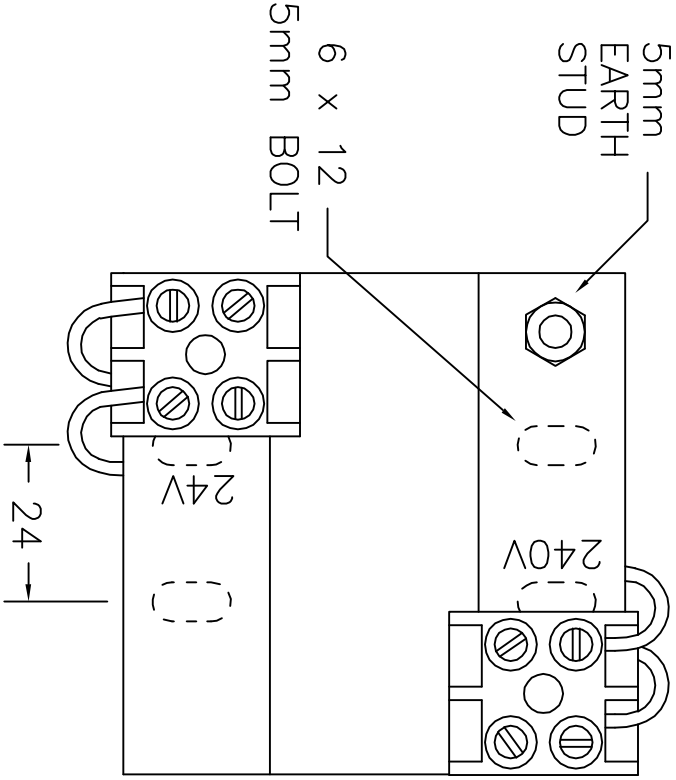


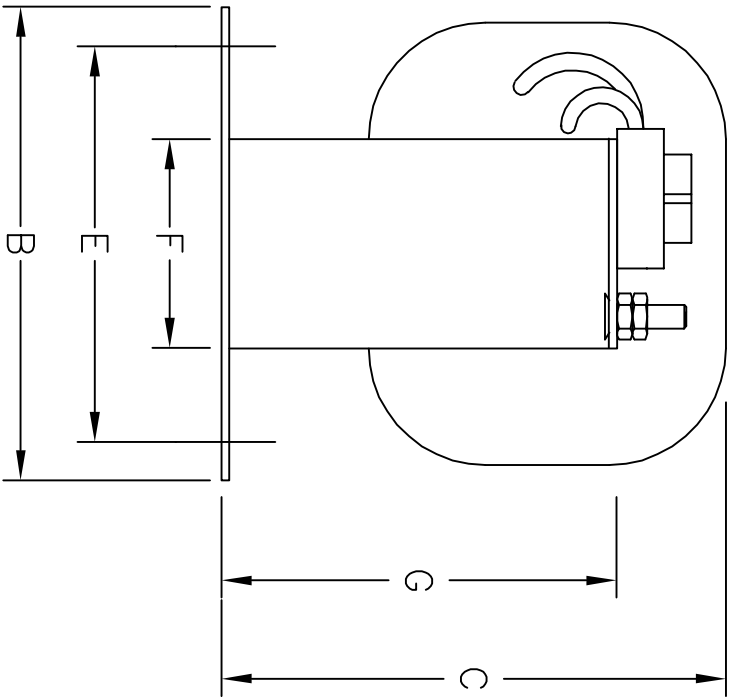
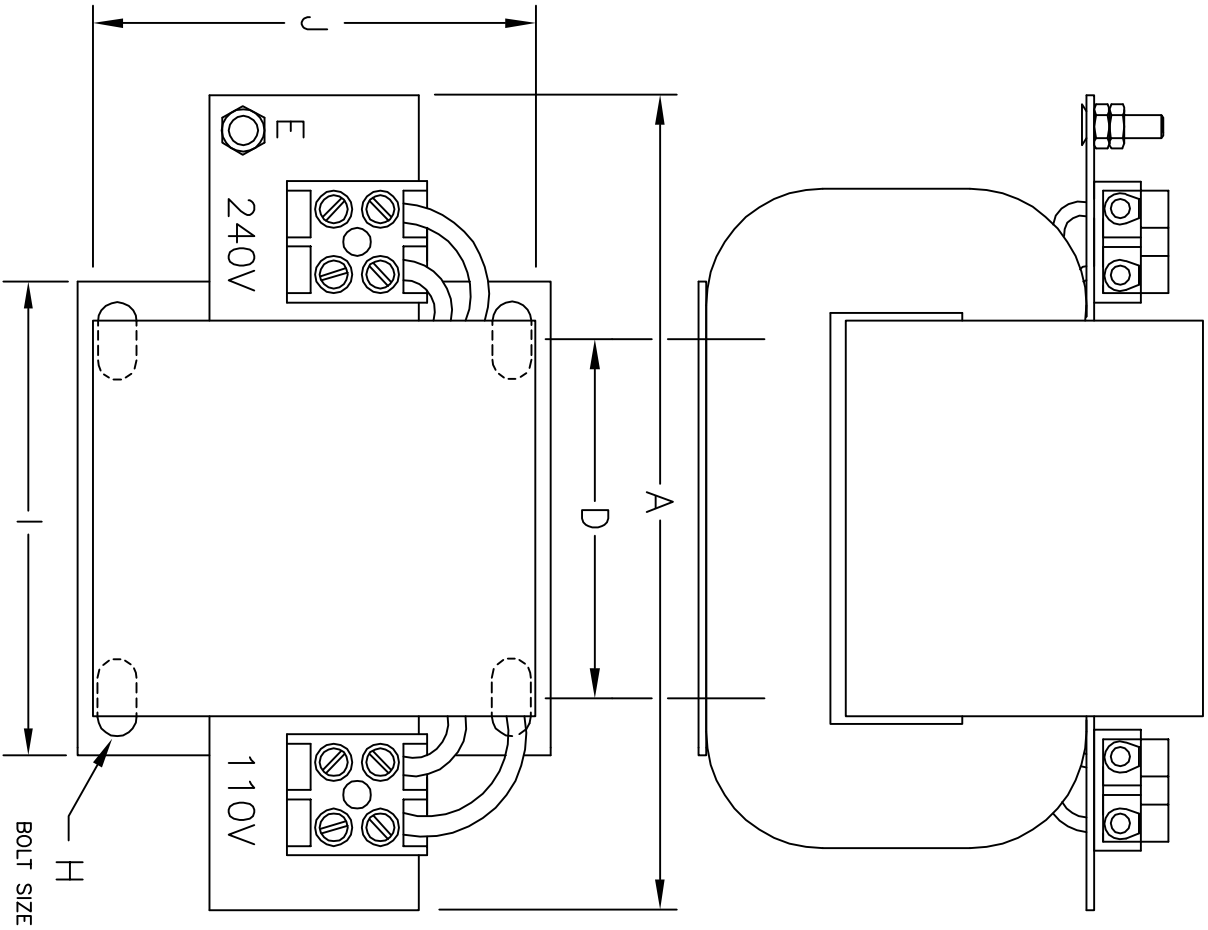
MASS 0.9Kg



COAST ELECTRICAL INDUSTRIES
 A. C. N. 001 936 456
 PTY. LTD.
 CORNER KENNY & WEST STREETS
 WOLLONGONG 2500 AUSTRALIA

TRANSFORMER SINGLE PHASE
 40 VA

REVISION #2	REVISION #1	DRAWN RF	DATE 6/5/96	DRAWING #	REV.
		CHK.	SCALE N.T.S.	569	



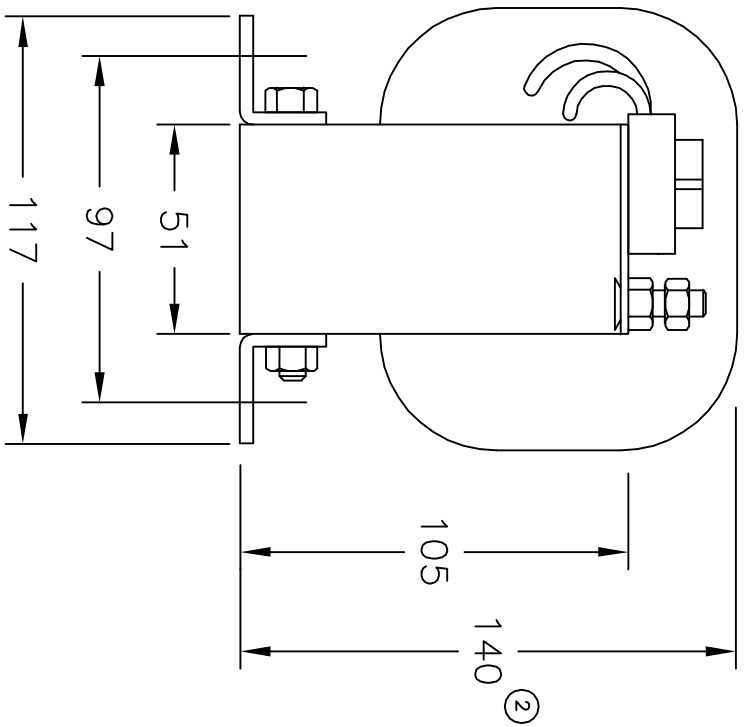
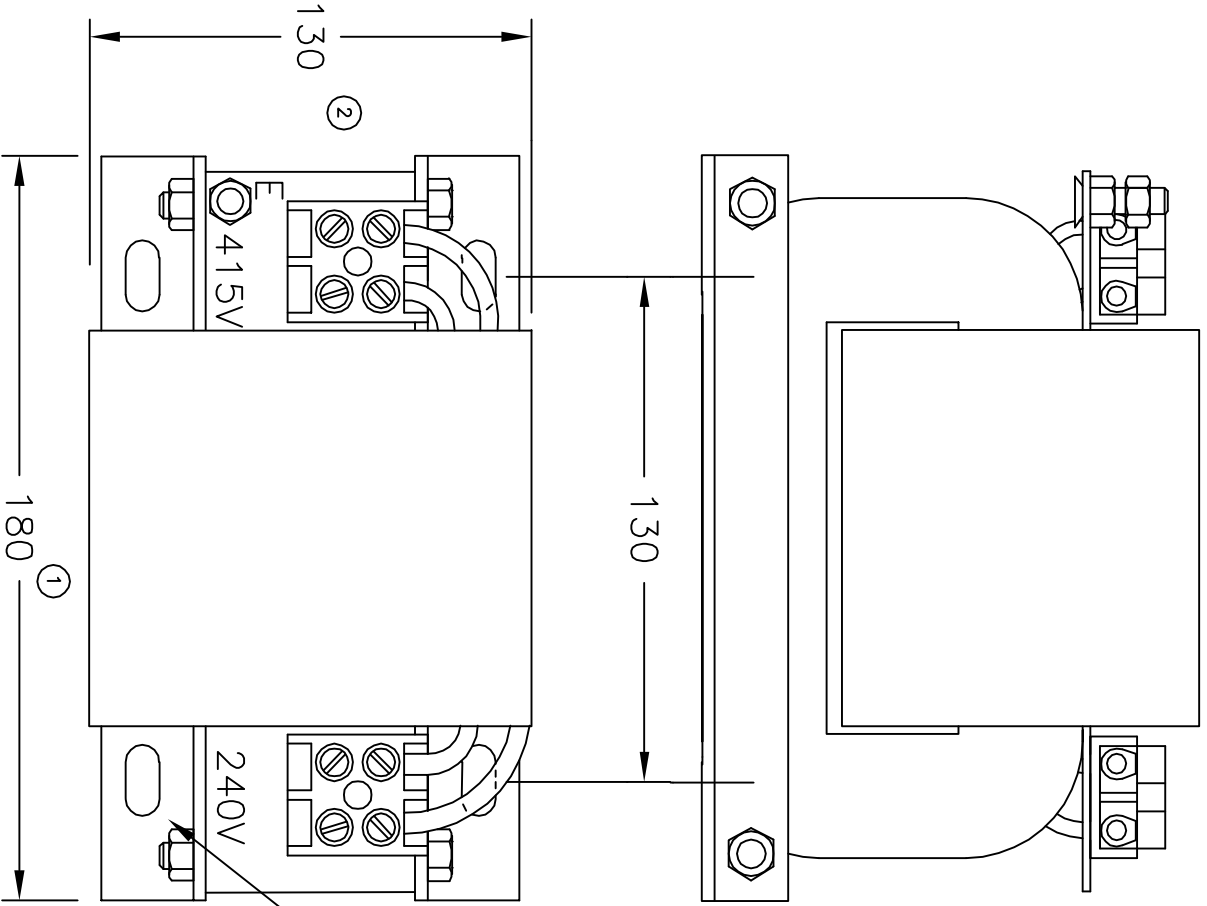
- ① THIS DIMENSION MAY VARY FOR NON STANDARD TERMINALS
- ② THIS DIMENSION IS ACROSS THE WINDING AND MAY VARY FOR 100VA 1000V (NOMINAL) USE 200VA
- ③

V/A	A ^①	B	C ^②	D	E	F	G	H	I	J ^②	MASS
500	150	100	125	68	88	51	100	5	80	100	5.5
300	135	80	110	68	88	51	80	5	80	100	4.0
200	135	80	105	58	68	38	80	5	70	88	3.0
100	125	80	85	58	68	32	63	5	70	80	1.7

COAST ELECTRICAL INDUSTRIES
 A. C. N. 001 936 456
 CORNER KENNY & WEST STREETS
 WOLLONGONG 2500 AUSTRALIA

**TRANSFORMER SINGLE PHASE
 OPEN TYPE 100 VA - 500 VA**

REVISION #2	REVISION #1	DRAWN RF	DATE 28/2/96	DRAWING #	REV.
		CHK:	SCALE N.I.S.	570	

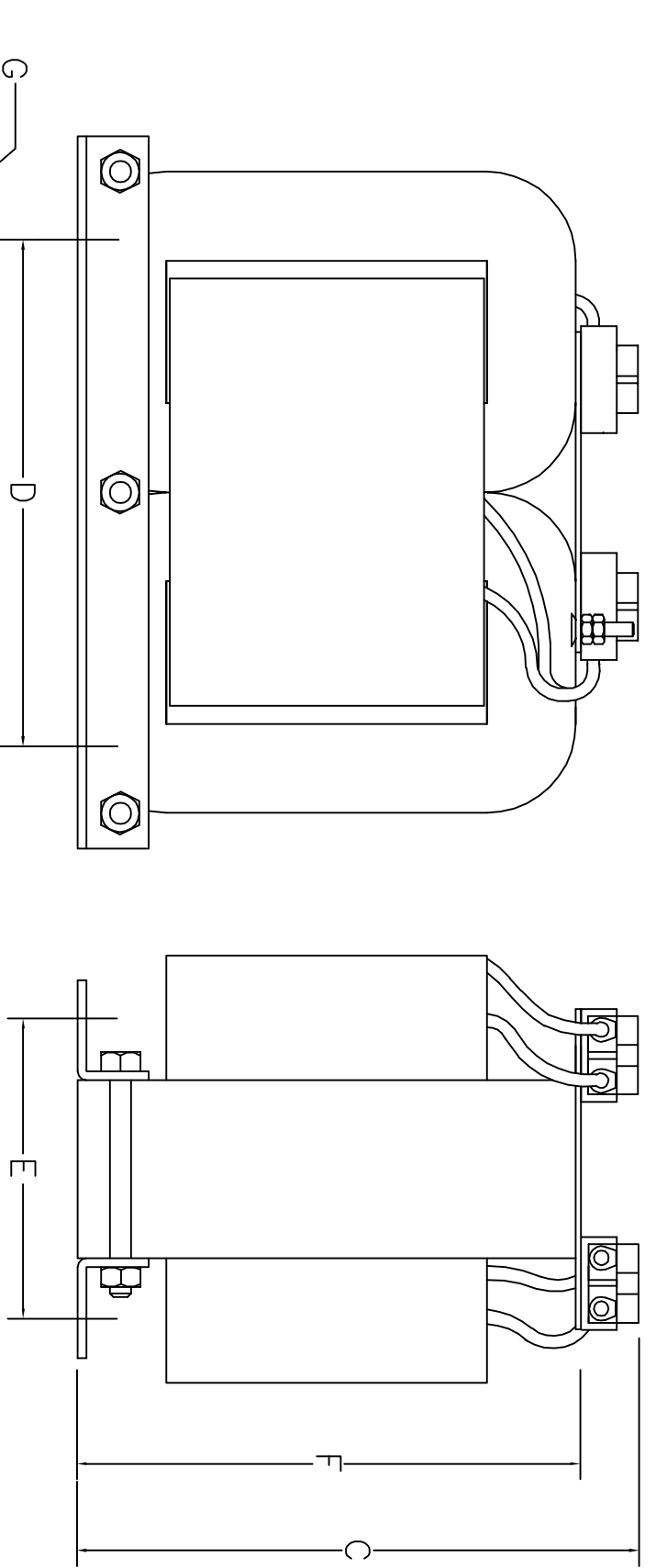


BOLT SIZE 8

MASS 8Kg

1. THIS DIMENSION MAY VARY FOR NON STANDARD TERMINALS
2. THIS DIMENSION IS ACROSS THE WINDING AND MAY VARY

<p>COAST ELECTRICAL INDUSTRIES A. C. N. 001 936 456 CORNER KENNY & WEST STREETS WOLLONGONG 2500 AUSTRALIA</p>		<p>PTV. LTD.</p>	
<p>TRANSFORMER SINGLE PHASE OPEN TYPE 750 VA</p>			
REVISION #2	REVISION #1	DRAWN RF	DATE 28/2/96
CHK.	SCALE N.I.S.	DRAWING #	REV.
		571	



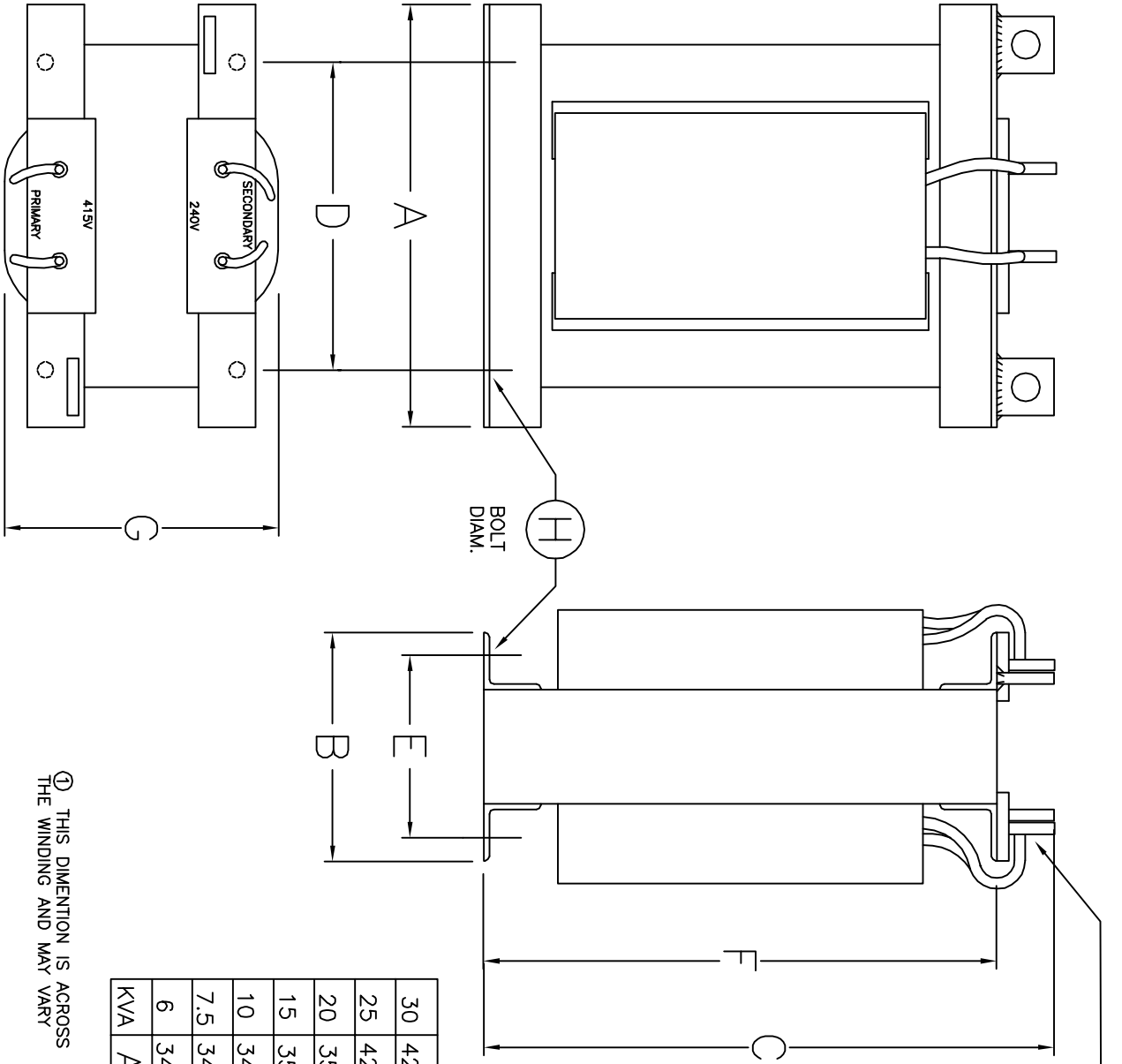
① THIS DIMENTION IS ACROSS THE WINDING AND MAY VARY

5000	280	130	260	210	110	234	10	192	32.5
4000	250	130	250	210	110	222	10	192	26.1
3000	250	115	222	195	97	222	8	172	22.5
2500	230	115	208	155	97	197	8	172	18.4
2000	215	115	183	155	97	183	8	158	15.7
1500	215	115	190	155	97	158	8	135	13.2
1000	200	115	170	155	97	145	8	135	9.6
VA	A	B	C	D	E	F	G	H	⊕ MASS

COAST ELECTRICAL INDUSTRIES
 A. C. N. 001 936 456
 CORNER KENNY & WEST STREETS
 WOLLONGONG 2500 AUSTRALIA
 PTY. LTD.

TRANSFORMER SINGLE PHASE
OPEN TYPE 1000VA - 5000VA

REVISION #3	REVISION #2	REVISION #1	DRAWN RF	DATE	DRAWING #	REV.
5/6/02	19/1/98	DIM 'C'	CHK:	26/2/96	572	3
T/BLOCKS REV.	DIMENSIONS	1500VA	SCALE	N.I.S.		



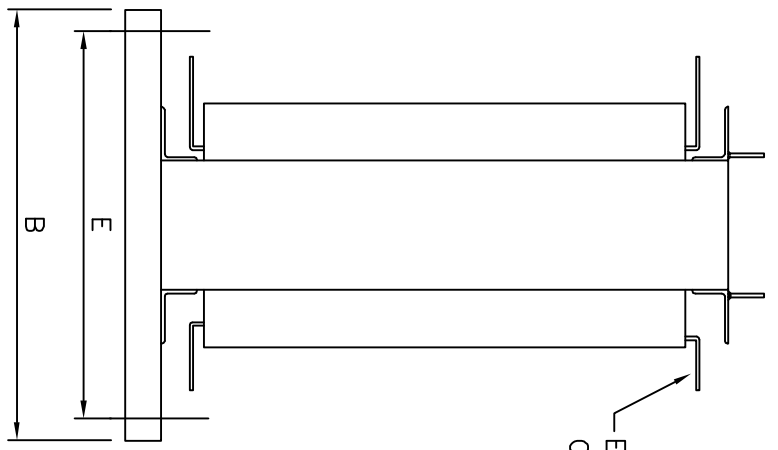
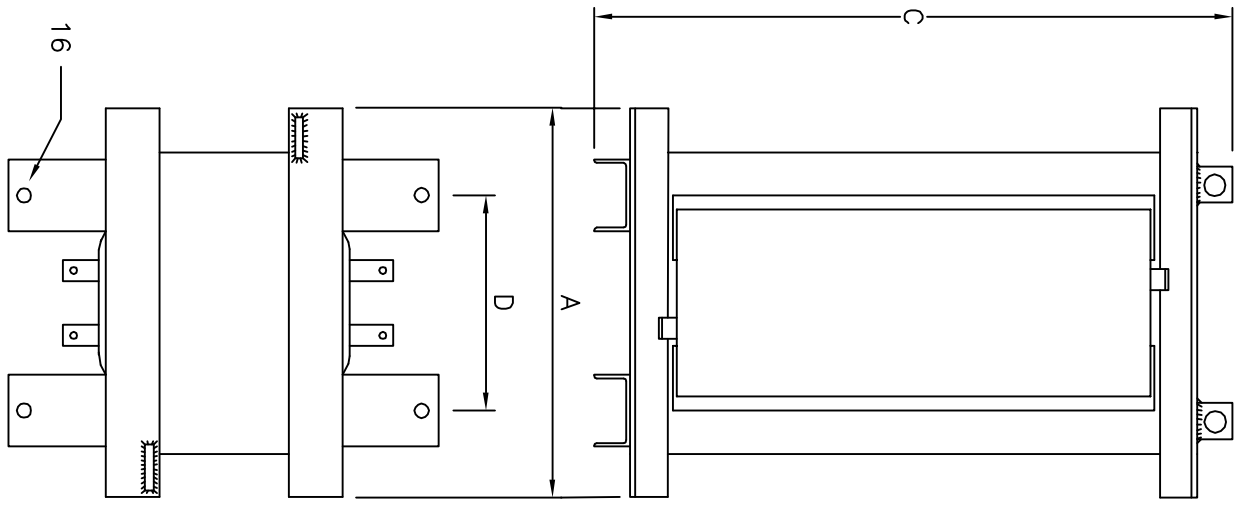
30	420	314	603	300	274	548	322	12	240
25	420	272	603	300	212	548	280	12	190
20	350	240	505	300	200	450	270	12	144
15	350	200	505	300	160	450	230	12	115
10	340	164	455	300	134	402	200	12	90
7.5	340	143	455	300	113	402	180	12	63
6	340	143	455	300	113	402	170	12	58
KVA	A	B	C	D	E	F	G [⊙]	H	MASS

① THIS DIMENTION IS ACROSS THE WINDING AND MAY VARY

REVISION #2	17.9.98	REVISION #1	19/1/98	DRAWN RF	DATE 16.9.98	DRAWING #	573	REV.	2
DIMENSIONS		6KVA		CHK.	SCALE N.T.S.				

COAST ELECTRICAL INDUSTRIES
 A. C. N. 001 936 456
 CORNER KENNY & WEST STREETS
 WOLLONGONG 2500 AUSTRALIA
 PTY. LTD.

TRANSFORMER SINGLE PHASE
 OPEN TYPE 6 KVA - 30 KVA



ELECTRICAL CONNECTIONS
COPPER BUSBAR

GALVANIZED FRAME
LAMINATIONS
GRAIN ORIENTED
SILICON STEEL

50	450	520	820	300	480	470
40	450	520	810	300	480	320
KVA	A	B	C	D	E	MASS

COAST ELECTRICAL INDUSTRIES
A. C. N. 001 936 456
CORNER KENNY & WEST STREETS
WOLLONGONG 2500 AUSTRALIA
PTY. LTD.

TRANSFORMER SINGLE PHASE
OPEN TYPE 40 & 50 KVA

REVISION #2	REVISION #1	DRAWN RF	DATE	DRAWING #	REV.
	20/06/08	CHK.	20/2/96	574	1
DIMENTIONS		SCALE	N.T.S.		