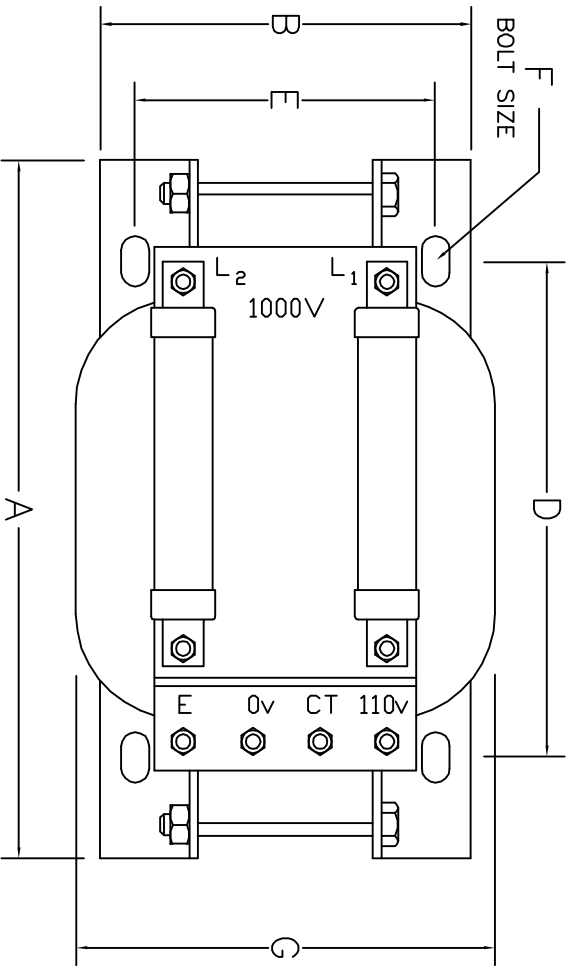
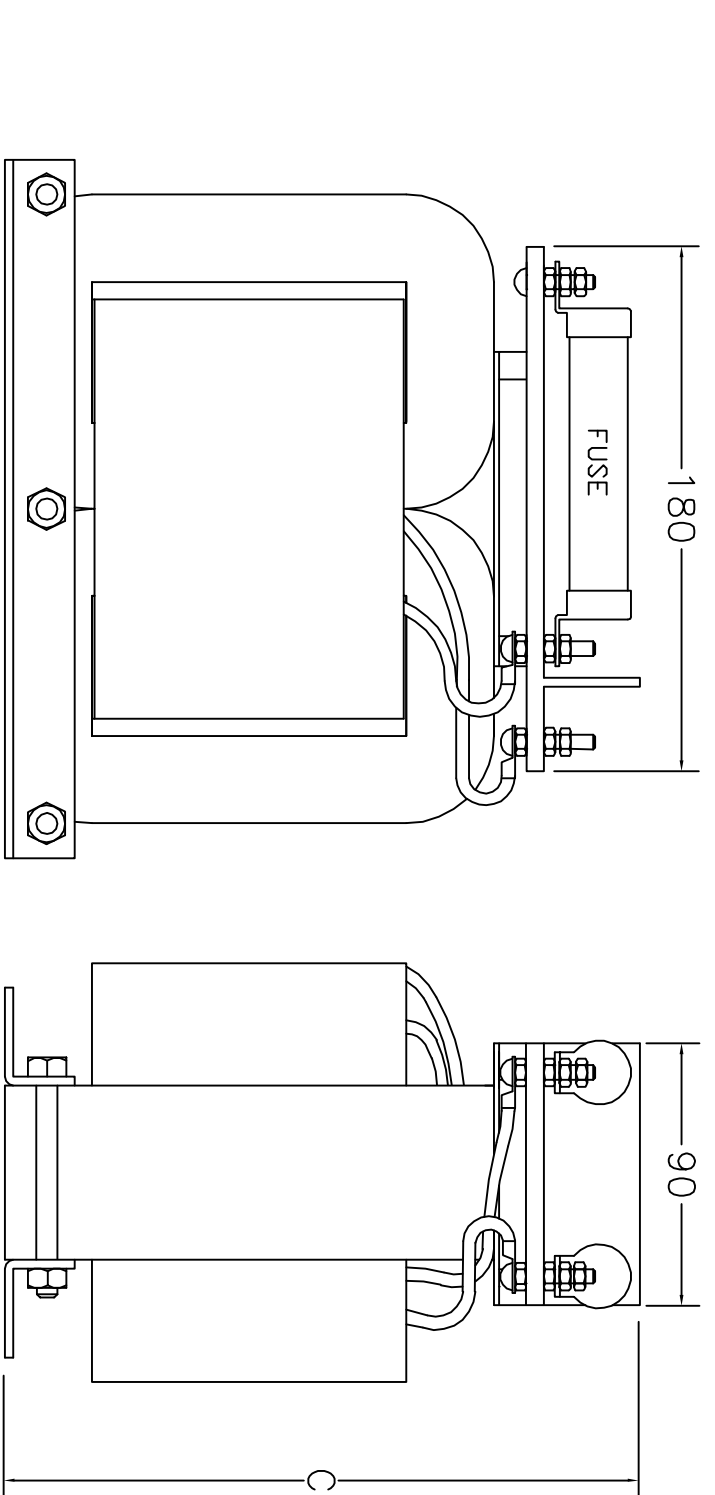


750	205	117	175	130	97	8	35	130	8.5
500	185	100	165	68	88	5	70	100	6
300	180	80	149	68	88	5	70	100	4.5
200	180	80	144	58	68	5	70	88	3.5
100	180	80	144	58	68	5	70	88	3.5
VA	A	B	C	D	E	F	G	H	MASS

COAST ELECTRICAL INDUSTRIES
 A. C. N. 001 936 456
 CORNER KENNY & WEST STREETS
 WOLLONGONG 2500 AUSTRALIA
 PTY. LTD.

**TRANSFORMER SINGLE PHASE
 1000V FUSES 100 - 750VA**

REVISION #2	REVISION #1	DRAWN	DATE	DRAWING #	REV.
	19/1/98	RF	28/2/96	582	1
DIMENSIONS		CHK.	SCALE	N.I.S.	



① THIS DIMENTION IS ACROSS THE WINDING AND MAY VARY

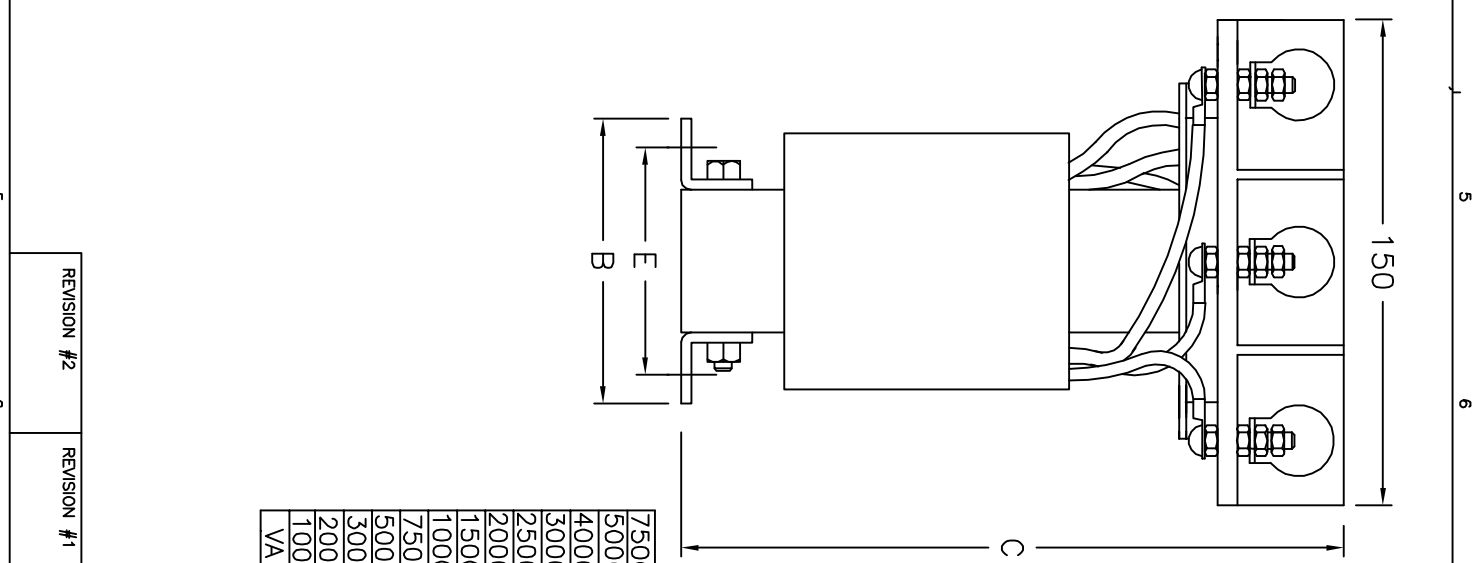
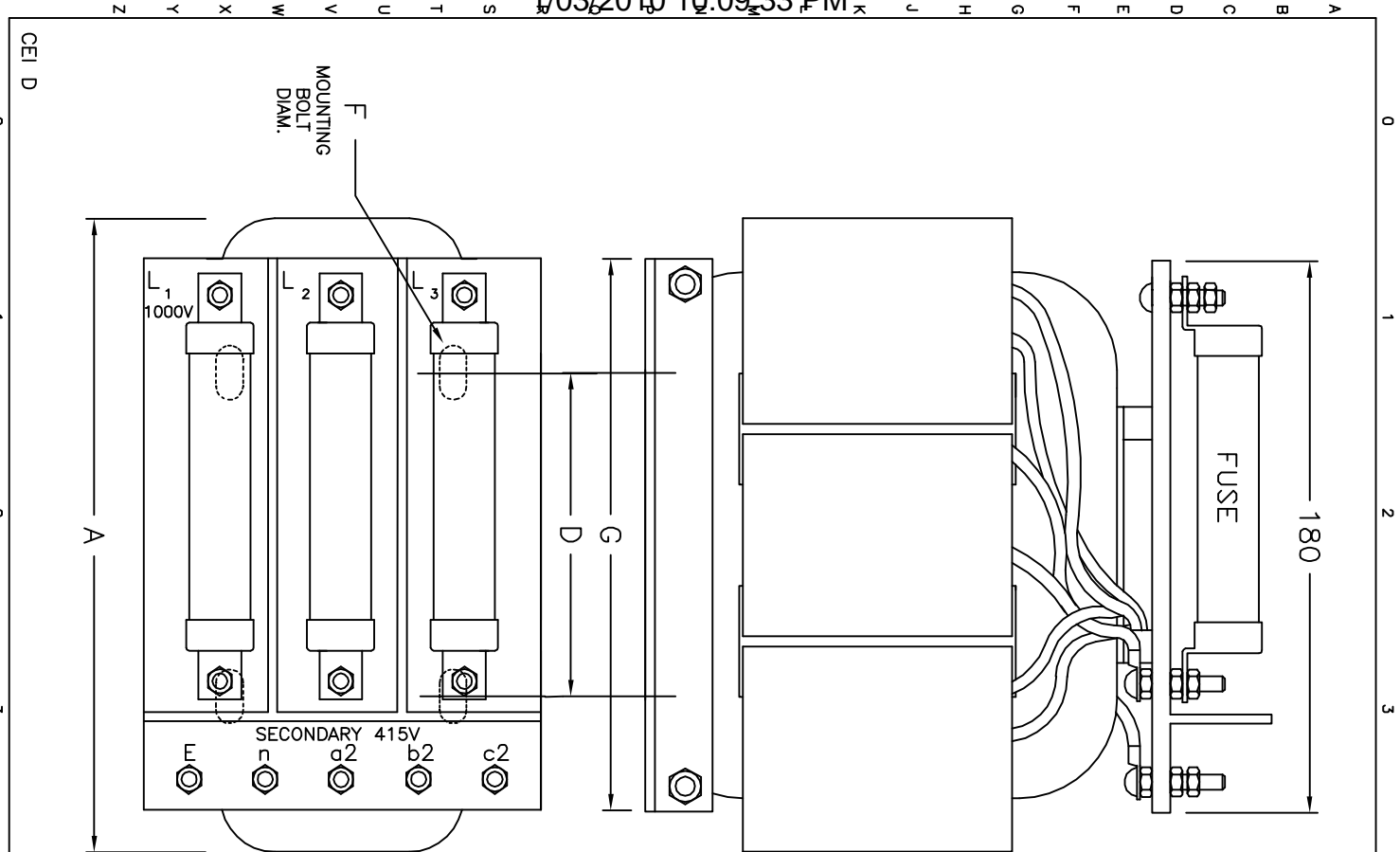
5000	280	130	290	210	110	12	192	33
4000	250	130	278	210	110	12	192	26.6
3000	250	115	278	195	97	8	172	23
2500	230	115	266	155	97	8	172	18.9
2000	215	115	243	155	97	8	158	16.2
1500	215	115	214	155	97	8	135	13.7
1000	200	115	202	155	97	8	135	10.1
VA	A	B	C	D	E	F	G	① MASS

COAST ELECTRICAL INDUSTRIES
A. C. N. 001 936 456
PTY. LTD.

CORNER KENNY & WEST STREETS
WOLLONGONG 2500 AUSTRALIA

TRANSFORMER SINGLE PHASE
1000V FUSES 1000VA-5000VA

REVISION #2	REVISION #1	DRAWN	DATE	DRAWING #	REV.
	19/1/98	RF	26/2/96	583	1
	DIMENSIONS	CHK.	SCALE	N.I.S.	



REVISION #2	REVISION #1
-------------	-------------

DRAWN RF	DATE 15/5/96	DRAWING # 584	REV.
CHK:	SCALE N.I.S.		

**TRANSFORMER THREE PHASE
1000V FUSES 100VA - 7500VA**

COAST ELECTRICAL INDUSTRIES									
A. C. N. 001 936 456									
CORNER KENNY & WEST STREETS									
WOLLONGONG 2500 AUSTRALIA									
PTY. LTD.									
VA	A [∅]	B	C	D	E	F	G	MASS	
7500	400	124	316	300	110	10	360	43	
5000	355	118	291	300	114	10	330	31	
4000	355	118	291	300	114	10	330	28	
3000	320	112	270	195	93	6	250	23	
2500	320	112	266	195	93	6	250	21	
2000	280	106	244	155	86	6	230	15	
1500	280	106	244	155	86	6	230	14	
1000	260	102	223	155	83	6	215	11.5	
750	220	96	204	155	77	6	200	8.3	
500	220	96	178	155	77	6	168	8	
300	205	96	158	130	77	6	168	6.7	
200	205	96	158	130	77	6	168	6.6	
100	205	96	158	130	77	6	168	6.5	

NOTE
① THIS DIMENTION IS ACROSS
THE WINDING & MAY VARY